



**Hydrocar**  
Hydraulic Energy

# SP LA

Tank

**SIDE MOUNTING**  
ORDERING CODE

SP L A 090 K G 1 6

SP LA 090

SP LA 100

SP LA 120



PERSONALIZED  
PLATE WITH BORING FOR  
D160 AND D180 lt

PLATE POSITION  
1 = FRONTAL  
58 = PREARRANGED FOR UPPER PLATE

COLOUR  
G = GREY

EQUIPMENT  
STANDARD TANK + BREATHER PLUG

TANK CAPACITY (lt)

MATERIAL  
A = STEEL  
L = ALUMINIUM  
I = STAINLESS STEEL

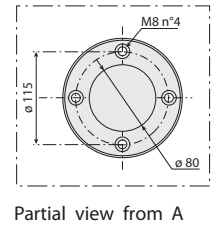
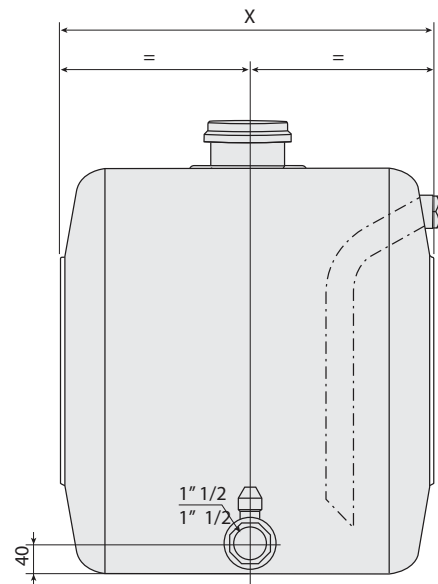
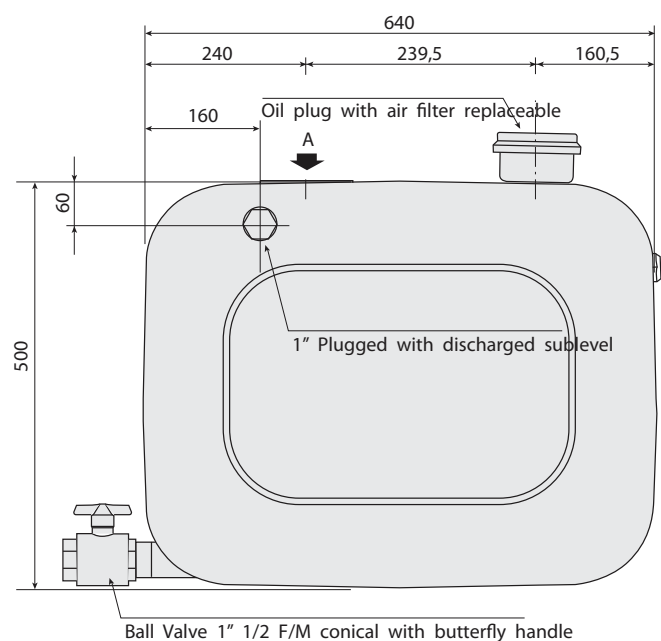
R = REAR MOUNTED

MODEL

**SPECIFICATIONS AND TECHNICAL DATA**

TYPE	CODE	CAPACITY	X (mm)
SP LA 090	SPLA090KG16	90 lt	350
SP LA 100	SPLA100KG16	100 lt	400
SP LA 120	SPLA120KG16	120 lt	450

> Metallic oil tank- standard colour: grey (other versions and accessories available upon request).



**TRANSPORT  
HYDRAULIC  
SOLUTIONS**

INNOVATION IN MOTION



**FREEPHONE**

New Zealand **0800 22 55 69**

Australia **1800 22 55 69**

[www.transporthydraulics.com](http://www.transporthydraulics.com)