

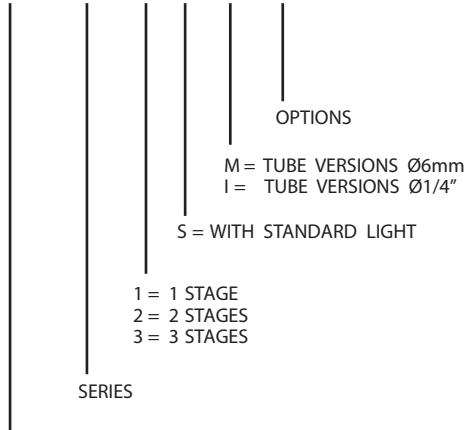


Hydrocar
Hydraulic Energy

BISTABLE

ORDERING CODE

400 PSC 1S M 00



PNEUMATIC CONTROL

PSC

- PSC 1
- PSC 2
- PSC 3

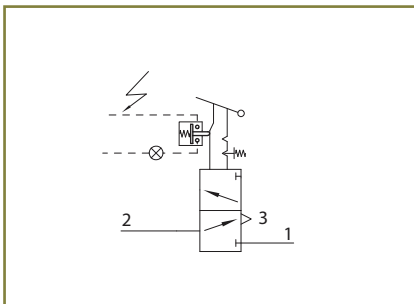
Pneumatic Control



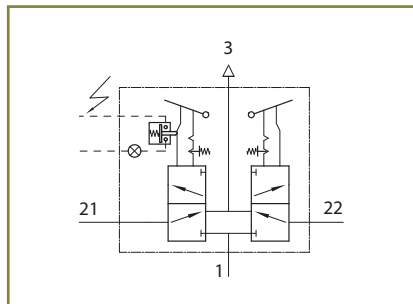
TYPE	CODE
PSC1	400PSC1SM00
PSC2	400PSC2SM00
PSC3	400PSC3SM00

TECHNICAL SPECIFICATIONS	
Max working pressure	12 bar
Operative temperature °C (t)	- 40° + 80°C
Warning light voltage	24 VDC (or 12 VDC)
Contacts	Normally open

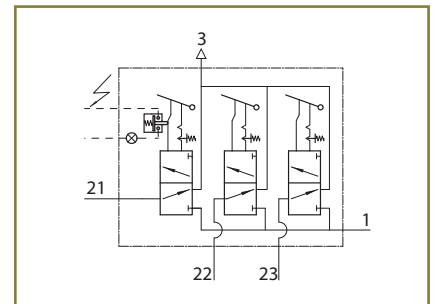
- > Pneumatic control from 1 up to 3 bistable stages.
- > The inlet is the same for all stages and the exhausts are conveyed through a threaded hole M5x0.8.
- > Rest position with levers down.
- > It has a microswitch with a warning light on the first stage.
- > These pneumatic controls are designed for both flange or side mounting.



mod. PSC1



mod. PSC2



mod. PSC3



TRANSPORT
HYDRAULIC
SOLUTIONS

TM

INNOVATION IN MOTION



FREEPHONE

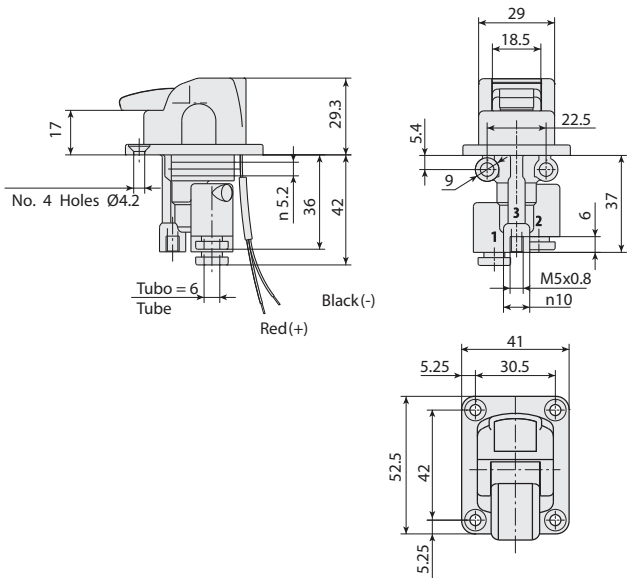
New Zealand **0800 22 55 69**

Australia **1800 22 55 69**

www.transporthydraulics.com

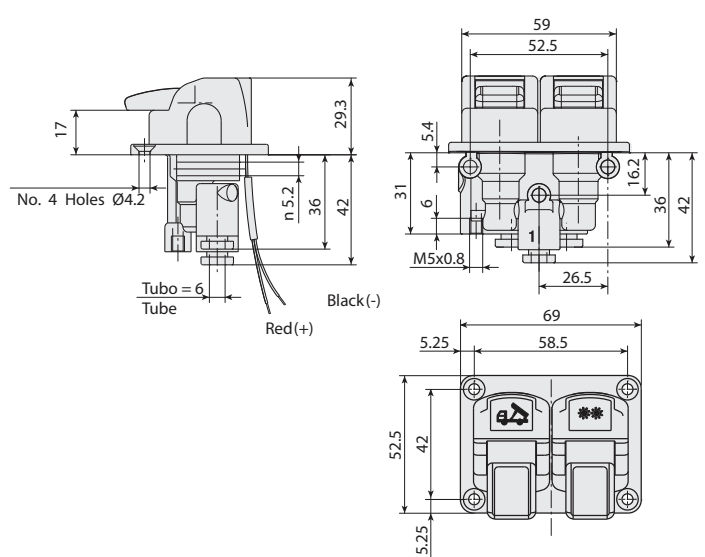
STANDARD VERSION

mod. PSC1



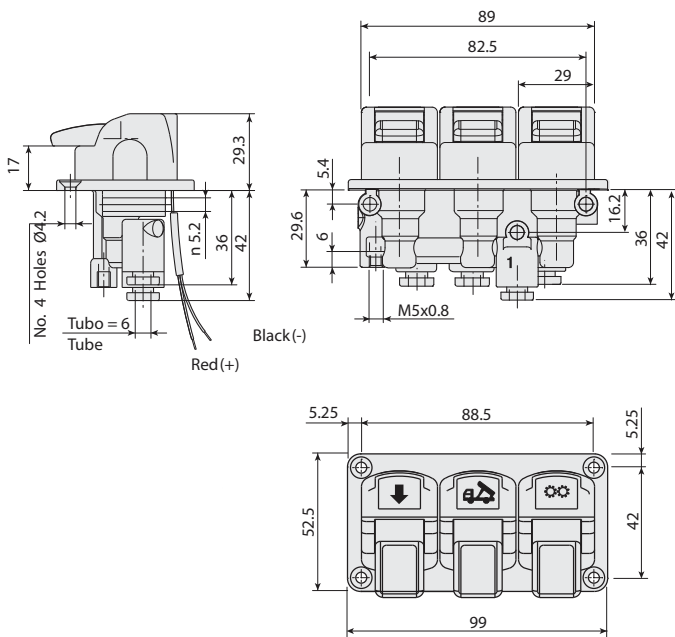
STANDARD VERSION

mod. PSC2

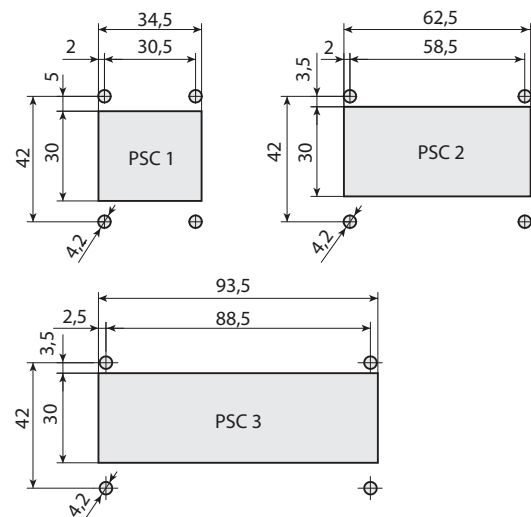


STANDARD VERSION

mod. PSC3



HOLES FOR FITTING



PNEUMATIC CONTROLS



TRANSPORT
HYDRAULIC
SOLUTIONS

TM

INNOVATION IN MOTION



FREEPHONE

New Zealand 0800 22 55 69

Australia 1800 22 55 69

www.transporthydraulics.com