

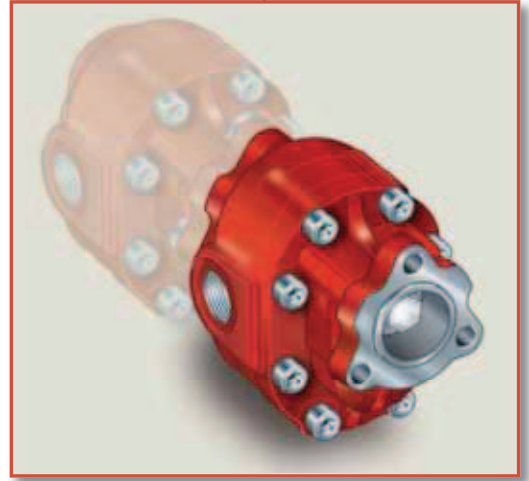


Hydrocar
Hydraulic Energy

TANDEM

FZ0 T

Gear Pump



ORDERING CODE

200 FZ0 036 ^D T
_S

21 UNI 222

ROTATION
D = CLOCKWISE
S = ANTICLOCKWISE

DISPLACEMENT

TYPE

GEAR PUMP

UNI
21-222

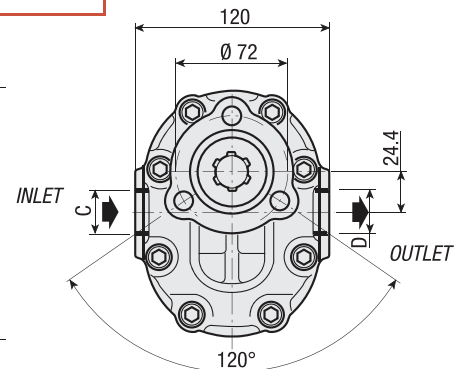
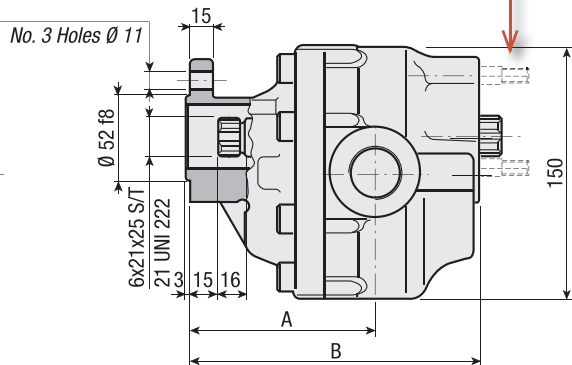
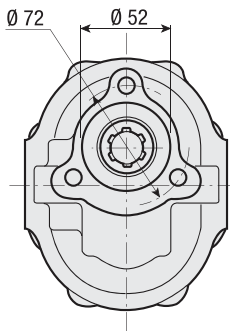
FZ0 36 T
FZ0 43 T
FZ0 57 T
FZ0 65 T
FZ0 90 T

SPECIFICATIONS AND TECHNICAL DATA

TYPE	CODE	DISPLACEMENT cm ³ /rev.	A mm	B mm	C INLET	D OUTLET	WEIGHT kg
FZ0 36 T	200FZ0036 ^D _S T	36	99.5	160	3/4" G	1/2" G	9.3
FZ0 43 T	200FZ0043 ^D _S T	43	104.5	165	1" G	3/4" G	10.5
FZ0 57 T	200FZ0057 ^D _S T	57	111.5	175	1" G	3/4" G	11.3
FZ0 65 T	200FZ0065 ^D _S T	65	116.5	180	1" G	3/4" G	11.8
FZ0 90 T	200FZ0090 ^D _S T	84	126	195	1" 1/4 G	1" G	12.8

REAR MOUNTING KIT:
for gear pump type

PE	198KPP02000
B	
NF	
FZO	198KPP03000
NFL	
GP	



TRANSPORT
HYDRAULIC
SOLUTIONS

TM

FREEPHONE

New Zealand **0800 22 55 69**

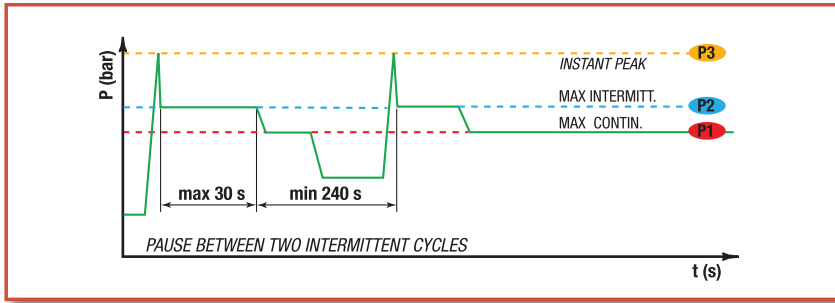
Australia **1800 22 55 69**

INNOVATION IN MOTION

www.transporthydraulics.com

TECHNICAL DATA

EXAMPLE OF WORKING CYCLES

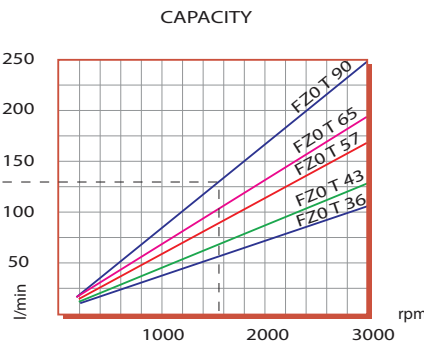
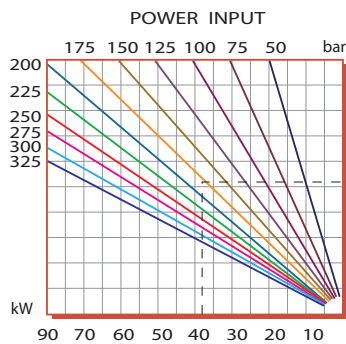


Inlet pressure:	0.7 ÷ 1.5 bar (absolute)
Operating viscosity range:	12 ÷ 100 cSt
Fluid temperature °C (t):	-10° + 80° C

Working Press. P2	Contamination		Filter $\beta_x = 75$
	NAS 1638	ISO 4406	
≤ 200 bar	12	21/18	40 μ m
≥ 200 bar	11	20/17	25 μ m

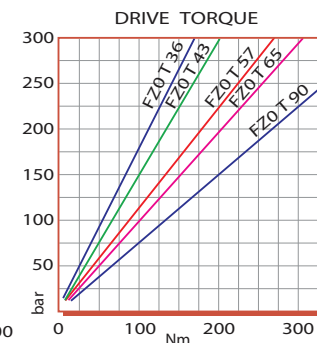
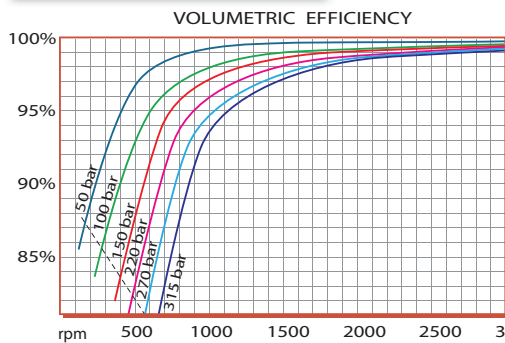
◀ RECOMMENDED FILTERING (return or outlet)

TIPO /TYPE			FZ036T	FZ043T	FZ057T	FZ065T	FZ090T
Displacement	Vg	cm ³ /n cm ³ /rev.	36	43	57	65	84
Max continuous operating pressure	P1	bar	300	280	240	220	210
Max intermitt. operat. press. (max 30 s)	P2		325	305	265	240	230
Max peak pressure (≤ 0.1 s)	P3		450	400	380	350	300
Max intermittent speed (P ≤ 20 bar)	n3	n/min r.p.m.	3500	3500	3500	3500	3500
Max continuous speed (≤ P1)	n1		2200	2200	2000	1800	1500
Min intermittent speed (≤ P2 x 0.5) (max 30 s)	n4		350	350	300	300	300



Max torque on the primary pump 300 Nm.

DIAGRAMS



ISO VG 46 A 50° C ($\nu=30$ cSt)
THE ABOVE SPECIFICATIONS
REFER TO OIL TYPE ISO
VG 46 AT 50° C ($\nu=30$ cSt)

GEAR PUMPS



TRANSPORT
HYDRAULIC
SOLUTIONS

INNOVATION IN MOTION



FREEPHONE

New Zealand **0800 22 55 69**

Australia **1800 22 55 69**

www.transporthydraulics.com