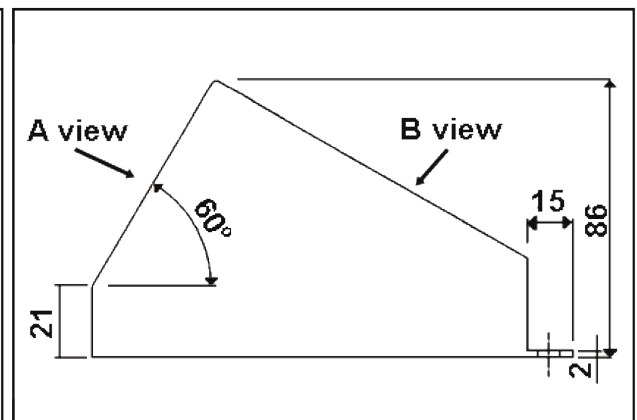
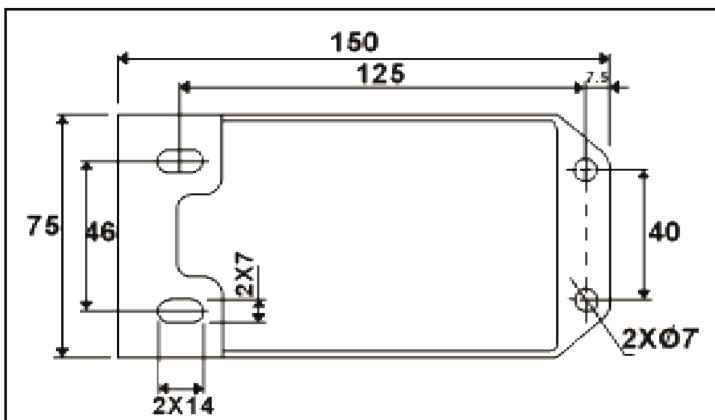


Cab Control Supports



- Versatility of vertical or horizontal use of the controls.
- Can be sandwiched together for double bank valve configuration.
- Provision for auxiliary air switch for use with a tail door trip or change-over valve activation.



TRANSPORT
HYDRAULIC
SOLUTIONS

TM

INNOVATION IN MOTION



FREEPHONE

New Zealand **0800 22 55 69**

Australia **1800 22 55 69**

www.transporthydraulics.com