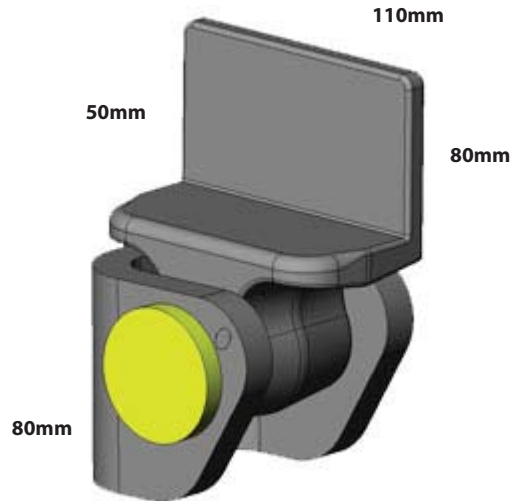


## REAR HINGE KIT

### Light Duty 5t Capacity



**Kit includes  
left & right  
hinge sets**



- Left and right hand hinges
- Includes grease nipples
- 30mm hinge pins
- Weighs 8.5kgs for the set
- Suitable for applications up to 5t payloads
- Alternative to our 1.1/4" HG1 rear hinge kit



NZ 0800 22 55 69  
AU 1800 22 55 69  
[www.transporthydraulics.com](http://www.transporthydraulics.com)  
[sales@transporthydraulics.com](mailto:sales@transporthydraulics.com)

Quote Ref:  
Date:  
NZ\$



INNOVATION IN MOTION

[www.transporthydraulics.com](http://www.transporthydraulics.com)

