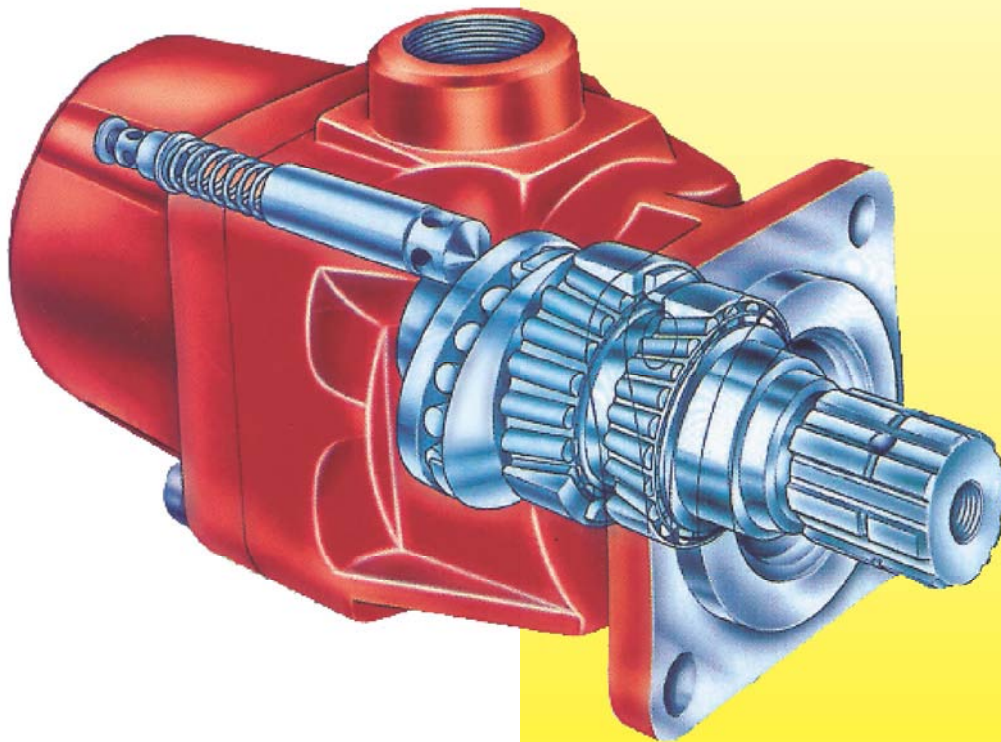




THS

**TRANSPORT
HYDRAULIC
SOLUTIONS**



HYDROCAR

PE PISTON PUMP

Free Call Now
NZ 0800225569 AU 1800225569
www.transporthydraulics.com

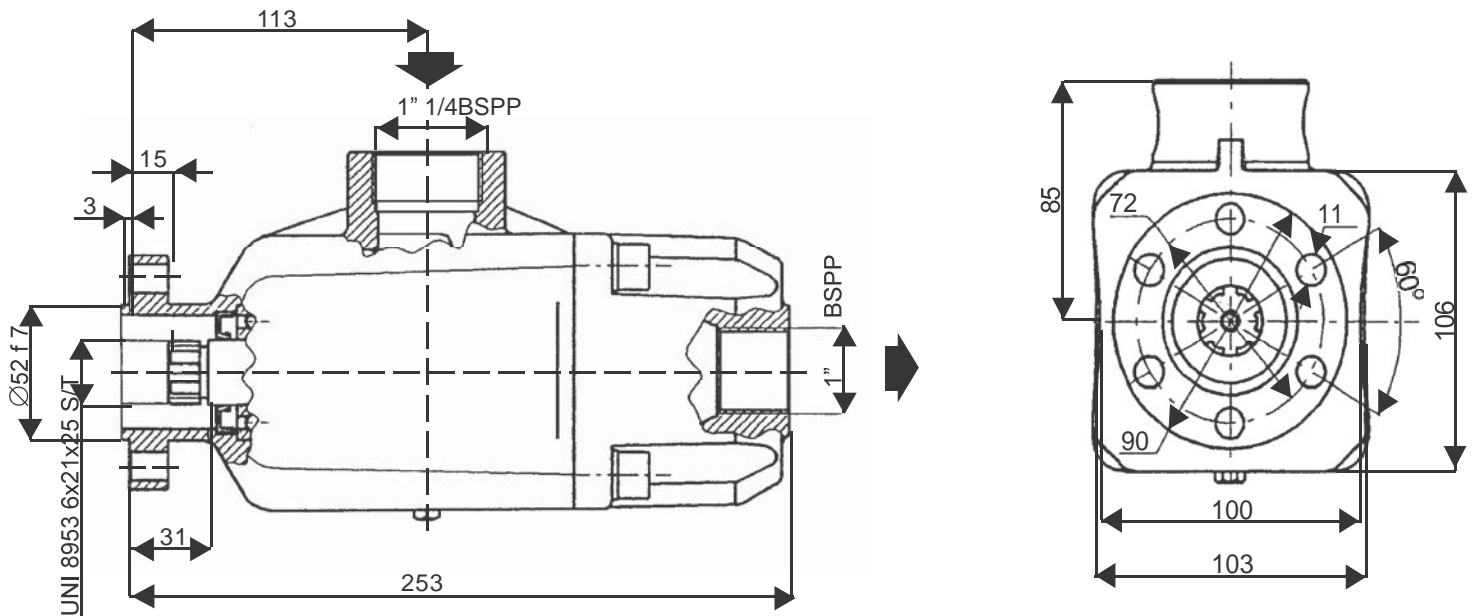
PE PISTON PUMP

Standard Features:

- ✓ High pressure.
- ✓ Bi-rotational.
- ✓ Lightweight construction.

Options:

- ✓ European or Italian mounting.
- ✓ 4 Bolt SE mount available on PE60.



SPECIFICATIONS

TYPE				PE 40	PE 60
Displacement		Vg	cm ³ /n cm ³ /rev	39.2	62.2
Max continuous operating pressure		P1	bar	330	290
Max intermittent operating pressure	(max 30 sec)	P2		360	340
Max peak pressure	(</- 0.1 sec)	P3		500	400
Max intermittent speed	(P</-30 bar)	n3	n/min rpm	2400	2100
(max 30 sec)	(</- P2)	n2		2100	1900
Max continuous speed	(</- P1)	n1		1800	1700
Min intermittent speed (max 30 sec)	(</- P2)	n4		400	300
Weight			Kg	10.4	10.4