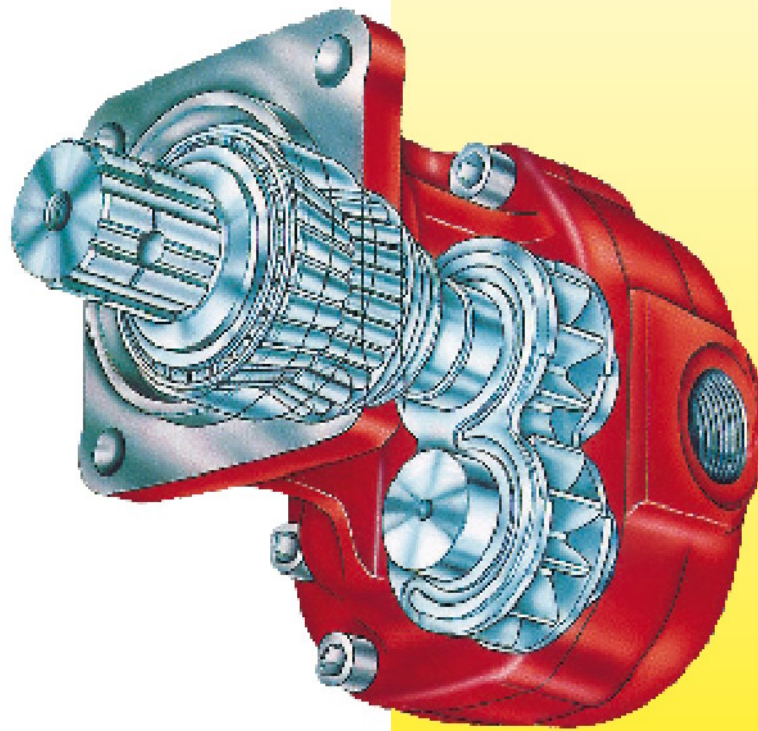




THS

TRANSPORT
HYDRAULIC
SOLUTIONS



HYDROCAR

FZ GEAR PUMP

Free Call Now
NZ 0800225569 AU 1800225569
www.transporthydraulics.com

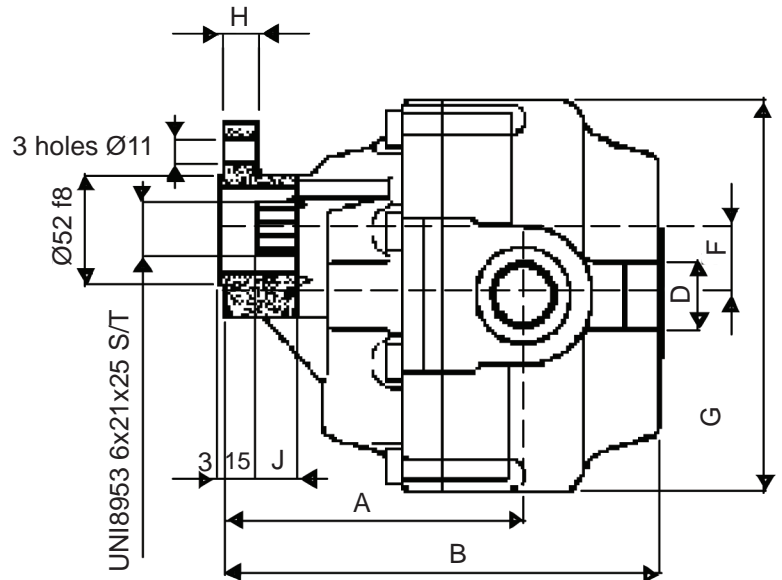
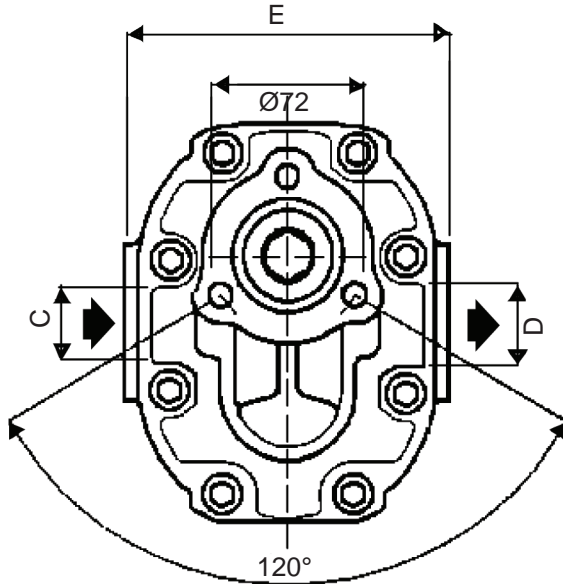
FZ GEAR PUMP

Standard Features:

- ✓ Cast iron housing
- ✓ Two outlet ports
- ✓ BSP parallel ports

Options:

- ✓ European or Italian mounting
- ✓ Left or right hand rotation
- ✓ Tandem



DIMENSIONS AND WEIGHTS

TYPE	A	B	C	D	E	F	G	H	J	WEIGHT KG
FZ 15 D/S	96.5	142.5	3/4" BSPP	1/2" BSPP	120	24.2	150	15	16	8.4
FZ 22 D/S	101.5	147.5	3/4" BSPP	1/2" BSPP	120	24.2	150	15	16	8.9
FZ 36 D/S	99.5	157.5	3/4" BSPP	1/2" BSPP	120	24.2	150	15	16	9.1
FZ 43 D/S	104.5	162.5	1" BSPP	3/4" BSPP	120	24.2	150	15	16	10.2
FZ 57 D/S	111.5	173	1" BSPP	3/4" BSPP	120	24.2	150	15	16	11.1
FZ 65 D/S	116.5	177.5	1" BSPP	3/4" BSPP	120	24.2	150	15	16	11.5
FZ 90 D/S	126	192.5	1.1/4" BSPP	1" BSPP	120	24.2	150	15	16	12.6
FZ 110 D/S	138	204.5	1.1/4" BSPP	1" BSPP	120	24.2	150	15	16	13.7
FZH 75 D/S	127.5	194.5	1.1/4" BSPP	1" BSPP	150	31.25	180	16	17	16.3
FZH 100 D/S	139.5	204.5	1.1/4" BSPP	1" BSPP	150	31.25	180	16	17	18.1
FZH 116 D/S	139.5	210.5	1.1/4" BSPP	1" BSPP	150	31.25	180	16	17	19
FZH 130 D/S	135.5	216.5	1.1/2" BSPP	1" BSPP	150	31.25	180	16	17	19.9
FZH 150 D/S	143.5	222.5	1.1/2" BSPP	1" BSPP	150	31.25	180	16	17	20.8

SPECIFICATIONS

TYPE			FZ 15	FZ 22	FZ 36	FZ 43	FZ 57	FZ 65	FZ 90	FZ 110	FZH 75	FZH 100	FZH 116	FZH 130	FZH 150
Displacement	Vg	cm ³ /h cm ³ /rev	15	22	36	43	57	65	84	105	73	100	116	132	148
Max continuous operating pressure	P1	bar	315	305	300	280	240	220	210	180	300	250	240	210	180
Max intermittent operating pressure (max 30 sec)	P2		340	330	325	305	265	240	230	200	320	270	260*	210*	180*
Max peak pressure (≤ 01. sec)	P3		450	450	450	400	380	350	300	250	450	375	340	315	270
Max intermittent speed (P ≤ 20 bar) (max 30 Sec) (≤ P2)	n3	n/min rpm	4000	4000	3500	3500	3500	3500	3500	3000	3800	3500	3000	3000	3000
	n2		3000	3000	2800	2800	2200	2000	1800	2000	2500	2300	2000	2000	2000
Max continuous speed (≤ P1)	n1		2500	2500	2200	2200	2000	1800	1500	1500	1800	1500	1500	1500	1500
Min intermittent speed (max 30 sec) (≤ P2)	n4		450	450	350	350	300	300	300	300	300	300	250	250	250

* In the FZH 110 - 130 - 150 pumps the P2 pressure is limited by maximum torque of the shaft.