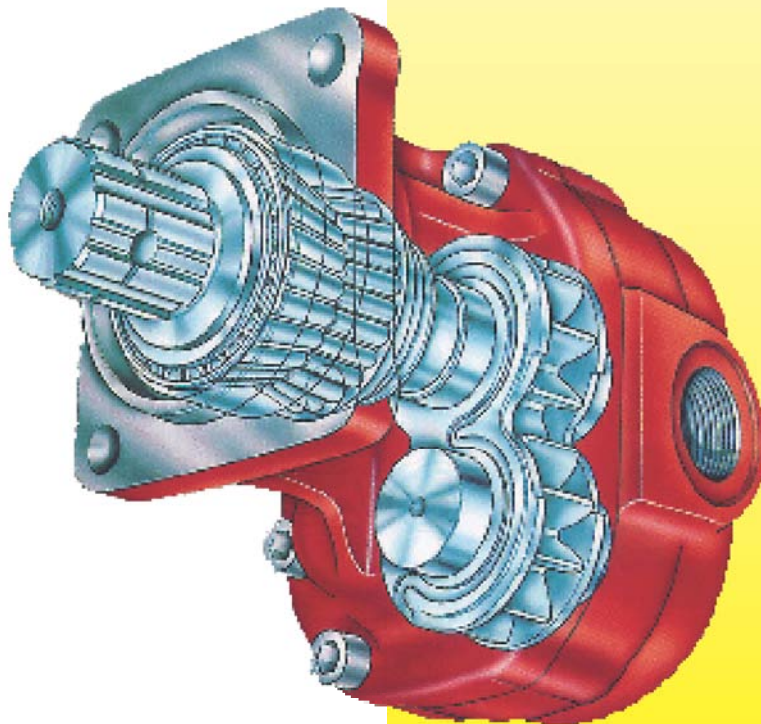




THS

TRANSPORT
HYDRAULIC
SOLUTIONS



HYDROCAR

NF GEAR PUMP

Free Call Now
NZ 0800225569 AU 1800225569
www.transporthydraulics.com

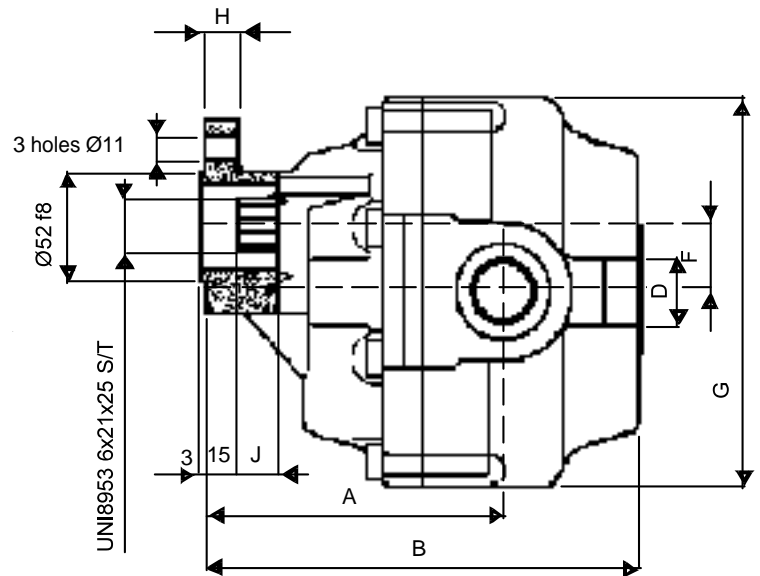
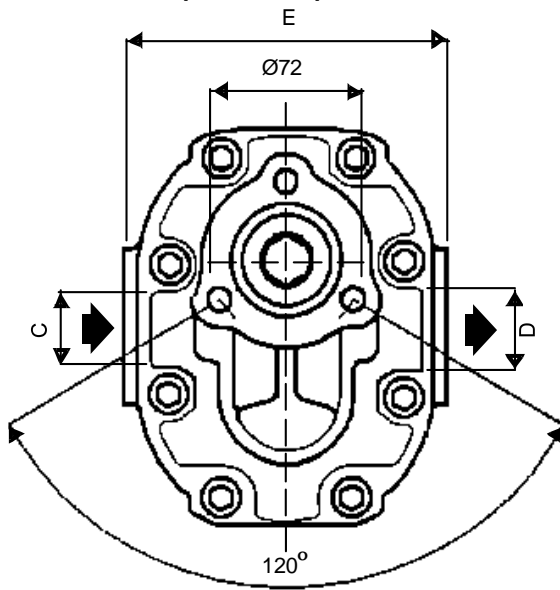
NF GEAR PUMP

Standard Features:

- ? Cast iron housing.
- ? Two outlet ports.
- ? BSP parallel ports.

Options:

- ? European or Italian mounting.
- ? Left or right hand rotation.
- ? Tandem.



DIMENSIONS AND WEIGHTS

TYPE	A	B	C	D	E	F	G	H	J	Weight Kg
NF 15 D/S	108	148	3/4"BSPP	1/2"BSPP	120	24.4	150	15	16	8.7
NF 25 D/S	114	154	3/4"BSPP	1/2"BSPP	120	24.4	150	15	16	9.5
NF 35 D/S	120	160	3/4"BSPP	1/2"BSPP	120	24.4	150	15	16	10.3
NF 45 D/S	110	167	1"BSPP	3/4"BSPP	120	24.4	150	15	16	10.8
NF 55 D/S	116	173	1"BSPP	3/4"BSPP	120	24.4	150	15	16	11.4
NF 64 D/S	122	179	1"BSPP	3/4"BSPP	120	24.4	150	15	16	12.2
NF 75 D/S	132	196	1.1/4"BSPP	1"BSPP	150	31.25	180	16	17	17.4
NF 80 D/S	122	189	1.1/4"BSPP	1"BSPP	120	24.4	150	15	16	12.5
NF 90 D/S	138	202	1.1/4"BSPP	1"BSPP	150	31.25	180	16	17	18.2
NF 110 D/S	144	208	1.1/4"BSPP	1"BSPP	150	31.25	180	16	17	19.4
NF 130 D/S	140	216	1.1/2"BSPP	1"BSPP	150	31.25	180	16	17	20.5
NF 150 D/S	148	224	1.1/2"BSPP	1"BSPP	150	31.25	180	16	17	21.0

SPECIFICATIONS

TYPE			NF 15	NF 25	NF 35	NF 45	NF 55	NF 64	NF 75	NF 80	NF 90	NF 110	NF 130	NF 150
	Vg	cm ³ /n cm ³ /rev	15.6	24.9	34.3	45.2	54.5	63.9	72.1	78.7	88.7	105.4	127.5	149.7
Max continuous operating pressure	P1	bar	300	300	300	260	240	220	300	200	250	250	210	180
Max intermittent operating pressure (max 30 sec)	P2		330	330	330	290	270	250	320	220	280	260*	210*	180*
Max peak pressure (≤ 0.1 sec)	P3		450	450	450	400	380	330	450	300	375	375	315	270
Max intermittent speed (P ≤ 20 bar)	n3	n/min rpm	4000	4000	3500	3500	3500	3500	3800	3500	3500	3500	3000	3000
(max 30 sec) (≤ P2)	n2		3000	3000	2800	2500	2200	2000	2500	1800	2500	2300	2000	2000
Max continuous speed (≤ P1)	n1		2500	2500	2200	2200	2000	1800	1800	1500	1800	1500	1500	1500
Min intermittent speed (max 30 sec) (≤ P2)	n4		450	450	350	350	300	300	300	300	300	300	250	250

* In the NF 110 - 130 - 150 pumps the P2 pressure is limited by maximum torque of the shaft.