



THS

**TRANSPORT
HYDRAULIC
SOLUTIONS**



DELTA

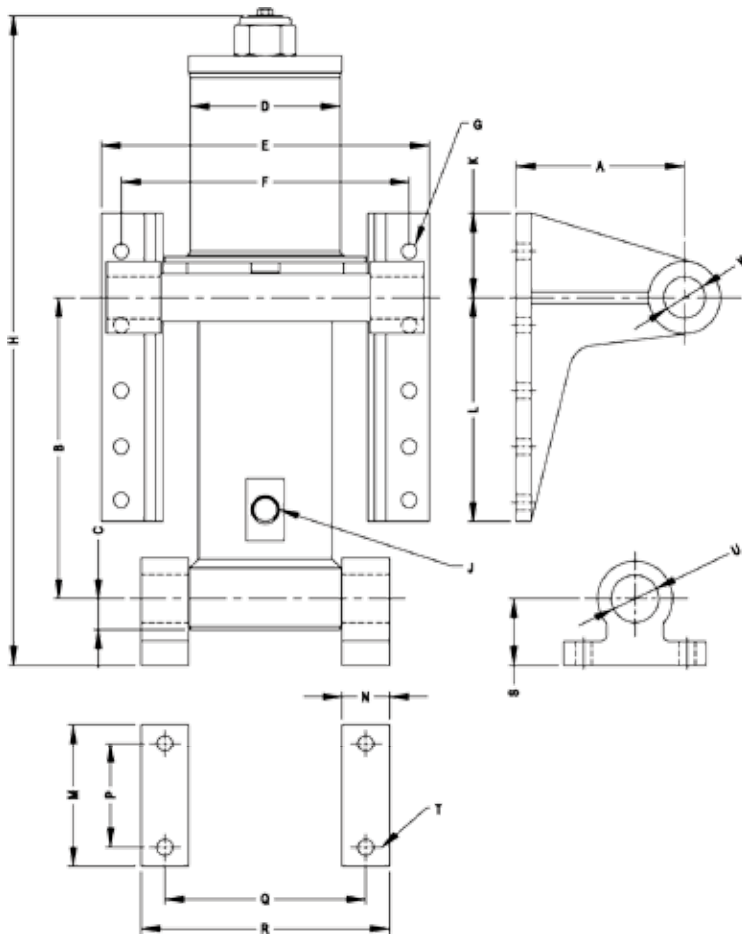
BT SERIES 2000

Free Call Now

NZ 0800225569 AU 1800225569

www.transporthydraulics.com

BT SERIES 2000



		MODEL			
		45BT	55BT	65BT	77BT
STANDARD DIMENSIONS	A	140	178	230	230
	B	257	343	343	343
	C	30	33	35	35
	D	140	159	190	238
	E	307	346	409	456
	F	292	304	345	388
	G	13.5	17	17	17
	K	78	89	89	121
	L	222	236	238	241
	M	140	150	155	215
	N	50	50	50	70
	P	105	110	115	165
	Q	188	212	240	305
	R	238	262	290	375
	S	65	70	80	90
	T	14	17	17	20
	U	45	51	57	57
W	38	45	51	57	

PORT SIZE 'J' 45BT, 55BT, 65BT = 1 1/16" UNO

Standard Features:

- ✓ All stages hard chrome plated for greater life.
- ✓ All stages top sealing using technologically advanced twin lip seal.
- ✓ New "flapped" wiper eliminates moisture entry into cylinder.
- ✓ No gland nuts or base plug to come loose or jam.
- ✓ Clip in base for ease of assembly and servicing.
- ✓ Working operating pressure 17.5 Mpa (2500 psi).
Max. operating pressure 21 Mpa (3000 psi)
- ✓ Bleed plug on top of cylinder.

Options:

- ✓ Alternate footmounts available on request.
- ✓ Bore sealed on last stage.
- ✓ Double acting on last stage.

MODEL	Ram Stroke mm	Tipping Capacity 48°	Pivot Length mm	Swept Volume litres	Ram Mass kg	Height H mm
S2-45BT-3-3.7	3700	8.0 t	4570	15	88	1556
S2-55BT-3-3.6	3600	20 t	4460	28	136	1552
S2-55BT-4-3.95	3950	16 t	4850	30	140	1342
S2-55BT-3-4.2	4200	20 t	5200	30	148	1752
S2-55BT-4-4.2	4200	16 t	5200	32	150	1405
S2-55BT-4-4.7	4700	16 t	5800	38	160	1530
S2-65BT-4-4.68	4685	25 t	5790	47	180	1535
S2-65BT-4-5.0	5000	25 t	6180	50	190	1614
S2-65BT-4-5.6	5600	25 t	6920	56	200	1764
S2-65BT-5-4.5	4500	20 t	5550	45	198	1266
S2-77BT-4-5.06	5065	32 t	6260	71	262	1654
S2-77BT-5-5.505	5505	32 t	6820	64	265	1493
S2-77BT-5-6.555	6555	32 t	8090	80	294	1703

Non Standard Cylinders Available On Request