



THS

TRANSPORT
HYDRAULIC
SOLUTIONS



DELTA

BR SERIES 2000

Free Call Now

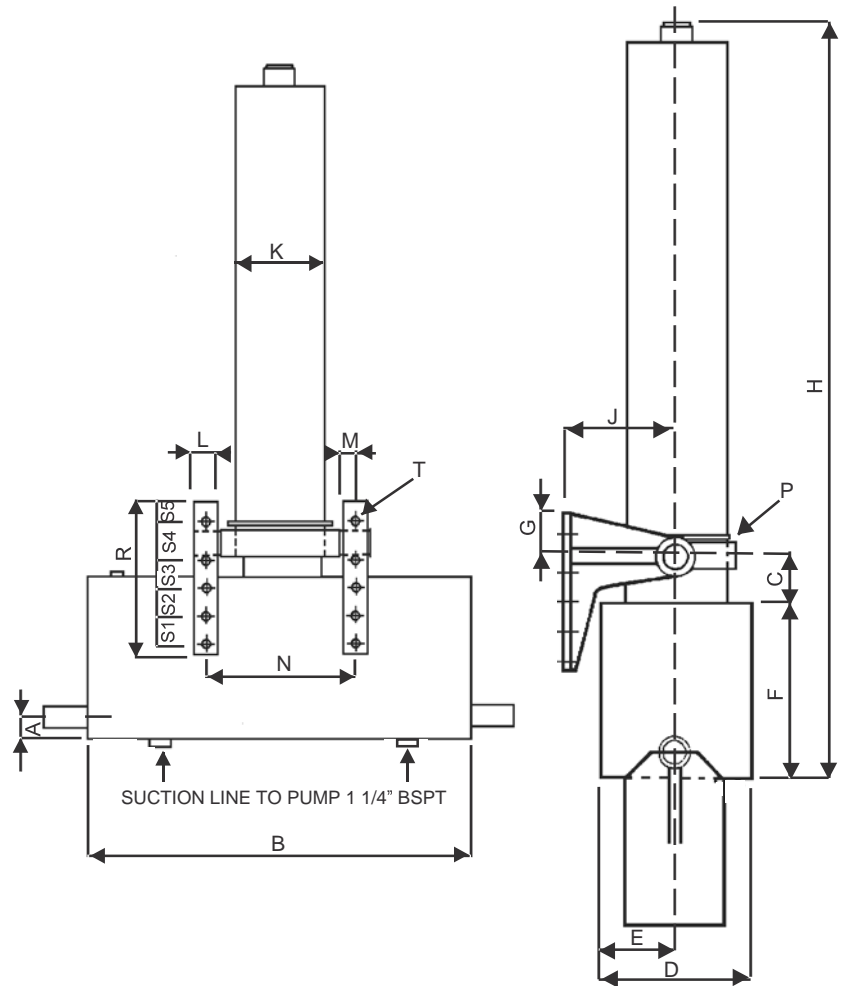
NZ 0800225569 AU 1800225569

www.transporthydraulics.com

BR SERIES 2000

	MODEL	
	55BR	65BR
A	74	74
B	830	830
C	130	132
D	315	320
E	120	135
F	285	335
G	89	89
J	178	230
K	158	190
L	65	76
M	44	44
N	304	345
P	1 1/16" UNO	1 1/16" UNO
R	325	327
S 1	56	60
S 2	59	60
S 3	69	60
S 4	78	78
S 5	40	44
T	16.5	17

STANDARD DIMENSIONS



Standard Features:

- ✓ All stages hard chrome plated for greater life.
- ✓ Bleed plug on top of cylinder.
- ✓ No gland nuts or base plug to come loose or jam.
- ✓ Clip in base for ease of assembly and servicing.
- ✓ 21 Mpa (3000 psi) maximum operating pressure, Normal operating pressure 17.5 Mpa (2500 psi).
- ✓ All stages top sealing using technologically advanced twin lip seal.
- ✓ New "Flapped" wiper eliminates moisture entry into cylinder.
- ✓ Tipping capacities calculated at 17.5 Mpa (2500 psi).

Options:

- ✓ Bore sealed on last stage.
- ✓ Tank extensions for truck and trailer application.
- ✓ Double acting on last stage.
- ✓ Control valve can be mounted on tank.

MODEL	Ram Stroke mm	Tipping Capacity 48°	Pivot Length mm	Hoist Swept Volume Litres	Ram mass KG	Tank Mass KG	Tank Oil Capacity Litres	Height (H) mm
S2-55BR-3-3.6	3600	20t	4500	30	150	75	52	1514
S2-55BR-4-3.95	3950	16t	4900	32	170	75	52	1305
S2-55BR-3-4.2	4200	20t	5200	35	166	75	52	1714.5
S2-55BR-4-4.20	4200	16t	5200	34	175	75	52	1368
S2-65BR-4-5.60	5600	21t	7000	56	222	85	71	1719