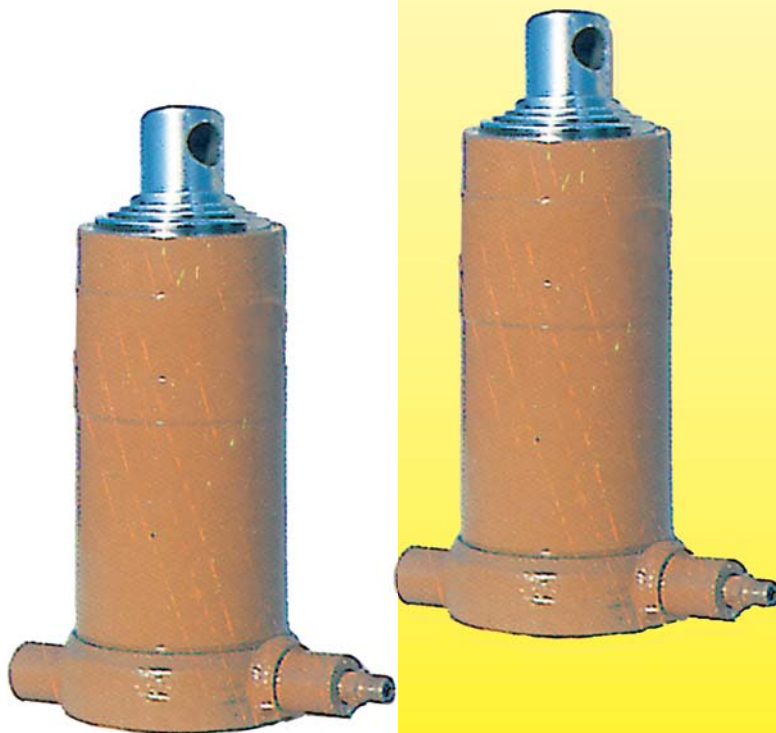


NZH

**TRANSPORT
HYDRAULIC
SOLUTIONS**

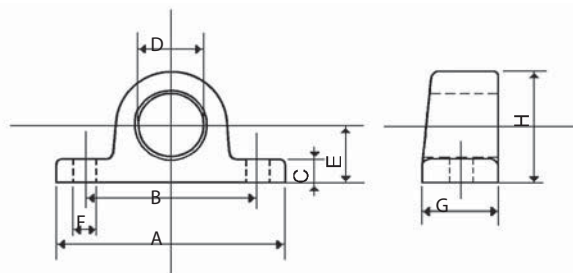
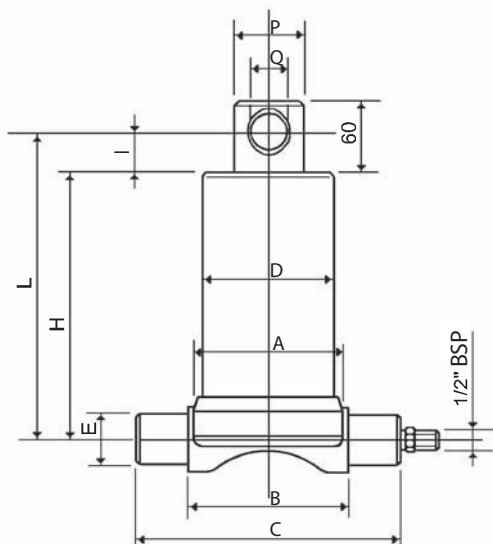


**MULTI STAGE BOTTOM
TRUNNION CYLINDER**

Call NZH on 0800 22 55 69

www.nzh.co.nz

BOTTOM TRUNNION CYLINDER



SUPPORTS FOR CRADLES AND CYLINDERS									
Size	A	B	C	D	E	F	G	H	Kg
Ø 35	130	95	12	Ø 35.5	30	13	40	56	0.9
Ø 45	140	108	15	Ø 45.5	33	15	45	66	1.2
Ø 50	150	116	15	Ø 50.5	36	15	45	71	1.4

CUS Multi-Stage Cylinder	Stroke mm	No of Stages	EXTENSIONS Diameter in mm						Capacity (100 Bar in Kg)	Dimensions of cylinder in mm								Weight Kg	Capacity Lt		
			46	61	76	91	107	127		A	B	C	D	E	H	I	L			P	Q
70-21-30	700	2		Ø	Ø				3000	110	115	195	95	45	430	33	463	60	31	22	3.2
70-31-30	700	3	Ø	Ø	Ø				3000	110	115	195	95	45	315	36	351	45	26	17	2.7
80-31-30	800	3	Ø	Ø	Ø				3000	110	115	195	95	45	280	36	316	45	26	17	2.7
105-31-50	1050	3		Ø	Ø	Ø			5000	130	135	215	114	45	425	33	458	60	31	33	5.8
115-31-50	1150	3		Ø	Ø	Ø			5000	130	135	215	114	45	460	33	493	60	31	36	6.3
125-51-50	1250	5	Ø	Ø	Ø	Ø	Ø		5000	145	150	230	127	45	335	36	371	45	26	29	7.4
150-41-80	1500	4		Ø	Ø	Ø	Ø		8000	145	150	230	127	45	455	33	488	60	31	38	10.0
170-41-80	1700	4		Ø	Ø	Ø	Ø		8000	145	150	230	127	45	505	33	538	60	31	45	11.3
215-51-90	2150	5		Ø	Ø	Ø	Ø	Ø	9000	170	175	265	152	45	525	33	558	60	31	62	17.3

THRUST IN TONNE FOR SINGLE EXTENSION

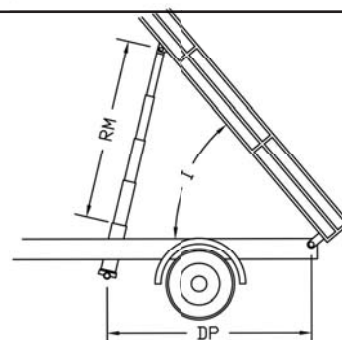
Rated pressure 160 Bar reaching maximum point of 180 Bar

Press Bar	Ø 127	Ø 107	Ø 91	Ø 76	Ø 61	Ø 46
100	12.660	8.980	6.500	4.530	2.920	1.660
125	15.820	11.230	8.120	5.660	3.650	2.070
160	20.250	14.370	10.400	7.250	4.670	2.650

RM = Cylinder reference.
 DP = Pivot distance in mm.
 I = Body tilting.

WARRANTY CONDITIONS

- Under no circumstance should be allowed to reach the end of it's stroke.
- Destroke valve available on request.
- Allow 20mm extension on fitment.
- Maximum working pressure of 160 Bar.



DP / RM	800	900	1000	1100	1200	1300	1400	1500	1600	1700	1800	1900	2000	2100	2200	2300	2400	2500	2600	2700	2800	2900	3000
70	52°	45°	41°	-	-	-	-	-	-	-	-	-	-	-	-	-	-	-	-	-	-	-	-
80		52°	47°	43°																			
105	-	-	-	57°	52°	48°	44°	41°	-	-	-	-	-	-	-	-	-	-	-	-	-	-	-
115	-	-	-	-	57°	52°	48°	45°	42°	-	-	-	-	-	-	-	-	-	-	-	-	-	-
125	-	-	-	-	-	58°	53°	49°	43°	41°	-	-	-	-	-	-	-	-	-	-	-	-	-
150	-	-	-	-	-	-	63°	59°	55°	52°	49°	46°	44°	42°	-	-	-	-	-	-	-	-	-
170	-	-	-	-	-	-	-	-	-	60°	56°	53°	50°	48°	45°	43°	41°	40°	-	-	-	-	-
215	-	-	-	-	-	-	-	-	-	-	-	-	-	62°	58°	56°	53°	51°	49°	47°	45°	44°	42°